

2MP Wi-Fi IP Camera

BMSCHFG200W



- Intrusion Detection
- WIFI Range: No obstacles 400m Max
- Wifi 6
- Main Stream: 1080P@30fps /720P@30fps



Camera

Image Sensor	1/2.9" Progressive Scan CMOS Sensor
Resolution	2MP 1080P
Effective Pixels	1928(H)*1088(V)
Compression	H.264/H.264+/H.265/H.265+/MJPEG
Audio Compression	G.711A/U, AAC
TV System	PAL/NTSC
Electronic Shutter Time	Auto: 1/3-1/100000Sec
Minimum Illumination	Color: 0.005 Lux @ (F1.6, AGC ON),B/W: 0 Lux with IR
S/N Ratio	60dB
Scanning System	Progressive
Video Output	Network
Reset Button	Optional

Lens

Focus Length & FOV	2.8 mm, horizontal FOV 93°, vertical FOV 50°, diagonal FOV 109° 4 mm, horizontal FOV 74°, vertical FOV 40°, diagonal FOV 89° 6 mm, horizontal FOV 48°, vertical FOV 26°, diagonal FOV 55°
Lens Type	Fixed focal lens, 2.8, 4 and 6 mm optional
Focus Control	Fixed
Aperture	F2.0
Pixels	3MP

Night Vision

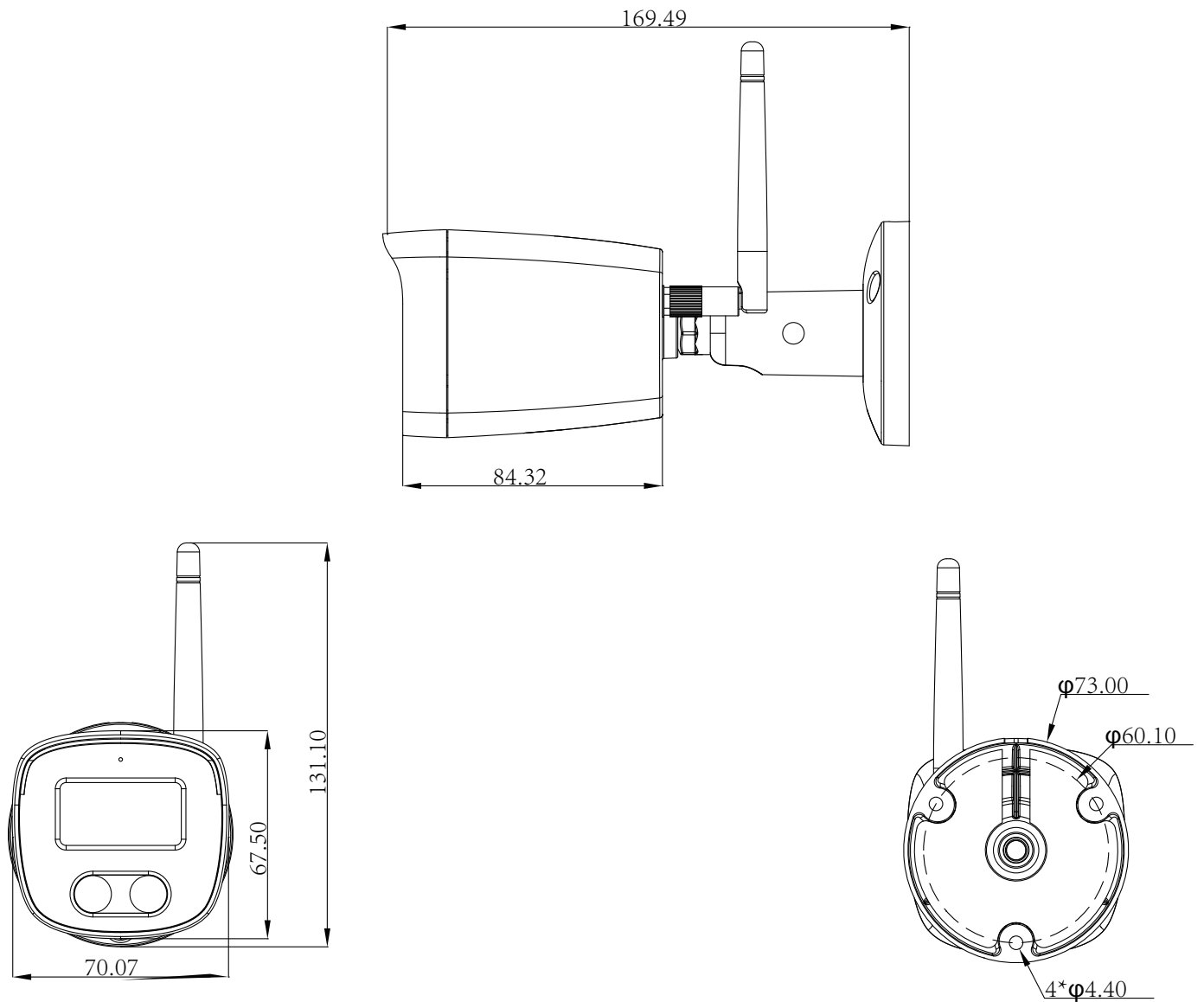
Infrared LED	2PCS
Infrared Distance	30M
IR Status	Auto Control
IR Power On	Smart, Manual & Timed mode

Network

Ethernet	RJ-45 (10/100Base-T)
Protocol	TCP/IP, IPv4/v6, ICMP, HTTP, HTTPS, FTP, DHCP, DNS, DDNS, RTP, RTSP, PPPoE, NTP, SMTP, UDP, Qos, 802.1x
ONVIF	Support ONVIF 19.12(Profile S/T)
P2P	YES, Support QR Code
POE	N/A
Video Delay	300ms (Within the Lan)
Main Stream 1	2304*1296@30fps
Main Stream 2	1920*1080@30fps
Main Stream 3	1280*720@30fps
Sub Stream 1	1280*720@30fps
Sub Stream 2	720*480@30fps
Sub Stream 3	N/A
Tri Stream	N/A

IE Brower	Microsoft Edge, IE11, Google Chrome, Firefox, Mac Safari
Smart Phone	iPhone, Android
Wireless	
Antena	3dbi
Hotspot	N/A
Wi-Fi	Wi-Fi(IEEE802.11b/g/n/ax),2.4Ghz
WIFI Range	No obstacles 400m Max.
AI Function	
Intelligent Analysis	Intrusion Detetion(based on human and Vehicle Detection),motion detection based on human detection
Camera Features	
Day/Night	Color/ B&W (IR-CUT)
Image Config	Saturation/Brightness/Contrast/Sharpness, Mirror, 3D NR, White Balance, Anti Flicker, Video Tampering, HLC, Distortion
Corridor Pattern	Support
ROI	Support
Defog Mode	Support
BLC	Support
WDR	DWDR
Motion Detection	Support
Privacy Masking	3 Rectangular Zone
Recording Mode	NVR/CMS/Web
Language	Chinese Simplified, Chinese Traditional, English, Bulgarian, Polish, Arabic, German, French, Korean, Portuguese, Japanese, Turkish, Spanish, Hebrew, Italian,Nederlands,Czech, Vietnamese
Interface	
Audio	Default: Built in Mic Option: Audio In Option: Audio I/O
Alarm	N/A
SD Card Slot	Default: Without Option: External SD card slot (Max 512GB)
RS485	N/A
General	
Housing	Metal, IP67
Anti-cut Bracket	NO
IR Cut Filter	YES
Operation Temperature	-20℃ ~ +60℃ RH95% Max
Storage Temperature	-20℃ ~ +60℃ RH95% Max
Power Source	DC12V±10%, 550mA
Dimension	70.07 x 67.5 x 169.49 mm
Weight (N.W./G.W.)	Approx. 420 g / Approx. 500 g

Dimensions (mm)



Optional Accessories



B310
Junction BOX



PB14146
Plastic Junction Box