

CMSA

Full Color HD Camera



CMSAHTC200FEHW

- Full Color Dome
- 1/3" CMOS Sensor
- 3.6mm Fixed Lens
- Support Warm white (4000K) , up to 25m

www.longse.com

Data Subject To Change Without Notice

SPECIFICATION	
Model NO.	CMSAHTC200FEHW
Video Output Mode	AHD/TVI: 5M@20fps/12.5fps, 4M@30fps, 2M@30fps; CVI: 4M@30fps, 2M@30fps
Camera	
Image Sensor	1/3" CMOS Sensor
Image Resolution	5M:2592*1944 4M:2560*1440 2M:1920*1080
TV System	PAL/NTSC
Electronic Shutter	AUTO
Minimum Illumination	0.01Lux
Scanning System	Progressive Scan
Lens	
Focus Length	3.6mm
Focus Control	Fixed
Lens Type	Fixed
Night Vision	
IR Cut Filter	YES
Infrared LED	NO, Support Warm white (4000K)
Light Distanc	up to 25m
IR Status	AGC Auto Control
Camera Features	
Starlight	/
Day/Night	color
OSD Menu	YES
WDR	DWDR
UTC	YES
Noise Reduction	DNR
Coaxial Audio	/
White Balance	AUTO / MANUAL
Gain Control	AUTO
General	
Housing	Metal, IP67
Bracket	Optional
Operation Temperature	-10°C ~ +60°C RH95% Max
Storage Temperature	-20°C ~ +60°C RH95% Max
Power Source	DC12V±10%, 450mA
Dimension	∅ 109 x 93(H) mm
Weight	600g

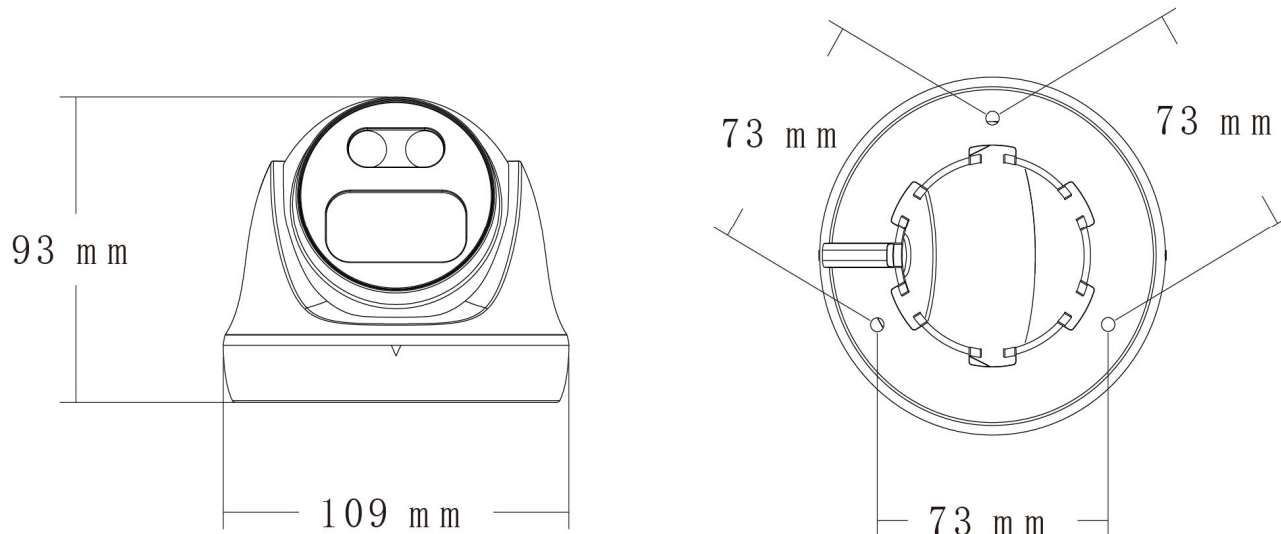
www.longse.com

Data Subject To Change Without Notice

Technical Specifications

Model	CMSA
Material	Aluminum & SECC & PC
Dimension(WxHxD)	∅109 x 93mm
Weight	single set 600g (with packaging 800g)
Color	Sand Grain White
Operating Temperature	-20°C ~ +60°C
Humidity	< 95% RH
Optional accessories	B116, B320, B173, PC116-CMSA

Dimensions (mm)



www.longse.com

Data Subject To Change Without Notice