

# BMSA

Full Color HD Camera



## BMSAHTC200FEHW

- Full Color Bullet
- 1/3" CMOS sensor
- 3.6mm Fixed Lens
- Support Warm white (4000K) , up to 25m

www.longse.com

Data Subject To Change Without Notice

| SPECIFICATION         |  |
|-----------------------|--|
| Model NO.             | BMSAHTC200FEHW   |
| Video Output Mode     | AHD/TVI: 5M@20fps/12.5fps, 4M@30fps, 2M@30fps; CVI: 4M@30fps, 2M@30fps |
| Camera                |  |
| Image Sensor          | 1/3" CMOS Sensor   |
| Image Resolution      | 5M:2592*1944 4M:2560*1440 2M:1920*1080                                 |
| TV System             | PAL/NTSC   |
| Electronic Shutter    | AUTO   |
| Minimum Illumination  | 0.01Lux  |
| Scanning System       | Progressive Scan   |
| Lens                  |  |
| Focus Length          | 3.6mm  |
| Focus Control         | Fixed  |
| Lens Type             | Fixed  |
| Night Vision          |  |
| IR Cut Filter         | YES  |
| Infrared LED          | NO, Support Warm white (4000K)   |
| Light Distanc         | up to 25m  |
| IR Status             | AGC auto control   |
| Camera Features       |  |
| Starlight             | /  |
| Day/Night             | color  |
| OSD Menu              | YES  |
| WDR                   | DWDR   |
| UTC                   | YES  |
| Noise Reduction       | DNR  |
| Coaxial Audio         | /  |
| White Balance         | AUTO / MANUAL  |
| Gain Control          | AUTO   |
| General               |  |
| Housing               | Metal, IP67  |
| Bracket               | YES  |
| Operation Temperature | -10°C ~ +60°C RH95% Max  |
| Storage Temperature   | -20°C ~ +60°C RH95% Max  |
| Power Source          | DC12V±10%, 450mA   |
| Dimension             | 171(W) x 73(H) x 73(D)mm   |
| Weight                | 750g   |

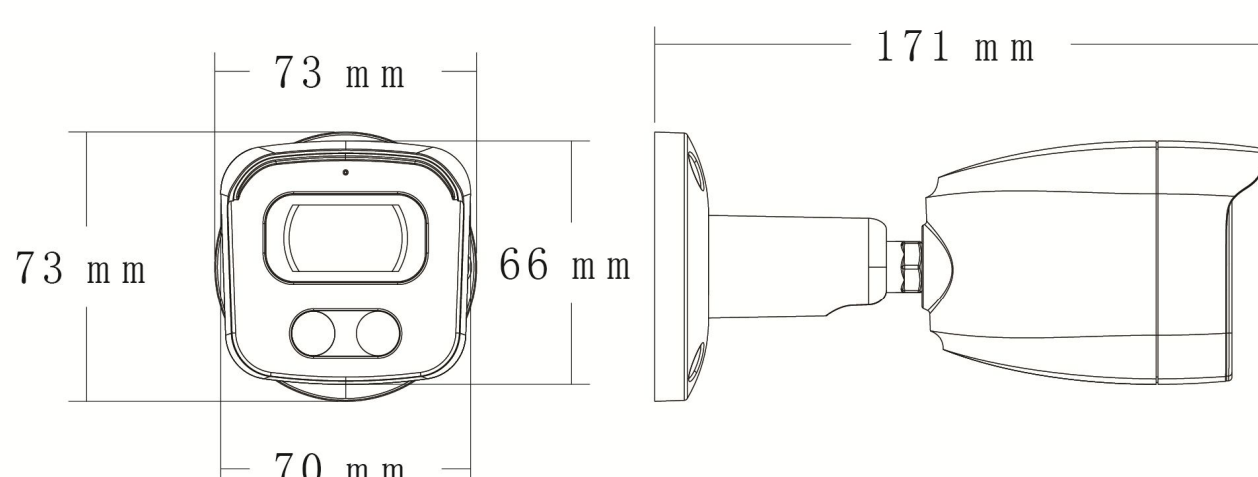
www.longse.com

Data Subject To Change Without Notice

## Technical Specifications

|                       |                      |
|-----------------------|----------------------|
| Model                 | BMSA                 |
| Material              | Aluminum & SECC & PC |
| Dimension(WxHxD)      | 73 x73x171 mm        |
| Weight                | 750g                 |
| Color                 | White                |
| Operating Temperature | -20°C ~ +60°C        |
| Humidity              | < 95% RH             |
| Junction Box          | B310, B116           |

## Dimensions (mm)



www.longse.com

Data Subject To Change Without Notice