

BMMB

AHD/TVI HD Camera



BMMBHTC2005XESH

BMMBTHC2005XESH

- AHD/TVI HD Bullet
- 1/2.8" SONY Starvis Back-illuminated CMOS Sensor
- 2.7-13.5mm Motorized Lens
- IR Distance Max. 40m

www.longse.com

Data Subject To Change Without Notice

SPECIFICATION	
Model NO.	BMMBHTC2005XESH BMMBTHC2005XESH
Video Output Mode	AHD/TVI: 5M@20fps/12.5fps, 4M@30fps, 2M@30fps; CVI: 4M@30fps, 2M@30fps
Camera	
Image Sensor	1/2.8" SONY Starvis Back-illuminated CMOS Sensor
Minimum Illumination	0.005Lux
Image Resolution	5M:2592*1944 4M:2560*1440 2M:1920*1080
TV System	PAL/NTSC
Electronic Shutter	Auto
Scanning System	Progressive Scan
Lens	
Focus Length	2.7-13.5mm
Focus Control	Auto
Lens Type	Auto
Night Vision	
IR Cut Filter	YES
Infrared LED	42μ x 4PCS
Infrared Distance	40M
IR Status	AGC Auto Control
Camera Features	
Starlight	YES
Day/Night	YES/NO
OSD Menu	YES
WDR	YES
UTC	YES
Noise Reduction	AI-DNR
Coaxial Audio	/
White Balance	AUTO / MANUAL
Gain Control	AUTO
General	
Housing	Metal, IP67
Bracket	YES
Operation Temperature	-10°C ~ +60°C RH95% Max
Storage Temperature	-20°C ~ +60°C RH95% Max
Power Source	DC12V±10%, 750mA
Dimension	268(W) x 95(H) x 88(D)mm
Weight	1.5Kgs

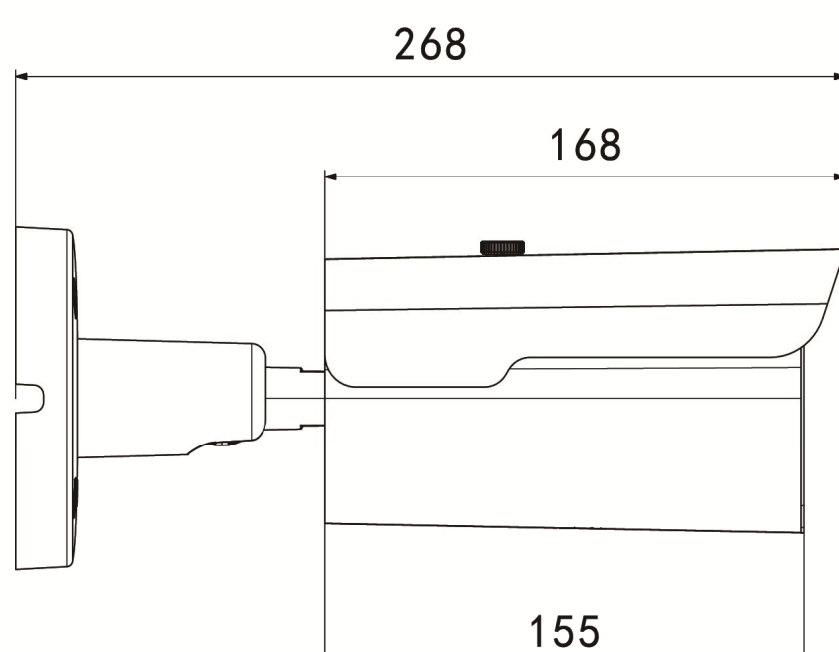
www.longse.com

Data Subject To Change Without Notice

Technical Specifications

Model	BMMB
Material	Aluminum & SECC & PC
Dimension(WxHxD)	95 x 88 x 268 mm
Weight	1.50kg
Color	White
Operating Temperature	-20°C ~ +60°C
Humidity	< 95% RH
Junction Box	B320

Dimensions (mm)



www.longse.com

Data Subject To Change Without Notice