

BMLA

AHD/TVI HD Camera



BMLAHTC2005XESH

BMLATHC2005XESH

- AHD/TVI HD Bullet
- 1/2.8" SONY Starvis Back-illuminated CMOS Sensor
- 2.7-13.5mm Motorized Lens
- IR Distance Max. 60m

www.longse.com

Data Subject To Change Without Notice

SPECIFICATION		
Model NO.	BMLAHTC2005XESH	BMLATHC2005XESH
Video Output Mode	AHD/TVI: 5M@20fps/12.5fps, 4M@30fps, 2M@30fps; CVI: 4M@30fps, 2M@30fps	
Camera		
Image Sensor	1/2.8" SONY Starvis Back-illuminated CMOS Sensor	
Minimum Illumination	0.005Lux	
Image Resolution	5M:2592*1944 4M:2560*1440 2M:1920*1080	
TV System	PAL/NTSC	
Electronic Shutter	Auto	
Scanning System	Progressive Scan	
Lens		
Focus Length	2.7-13.5mm	
Focus Control	Auto	
Lens Type	Auto	
Night Vision		
IR Cut Filter	YES	
Infrared LED	42μ x 6PCS	
Infrared Distance	60M	
IR Status	AGC Auto Control	
Camera Features		
Starlight	YES	
Day/Night	YES/NO	
OSD Menu	YES	
WDR	YES	
UTC	YES	
Noise Reduction	AI-DNR	
Coaxial Audio	/	
White Balance	AUTO / MANUAL	
Gain Control	AUTO	
General		
Housing	Metal, IP67	
Bracket	YES	
Operation Temperature	-10°C ~ +60°C RH95% Max	
Storage Temperature	-20°C ~ +60°C RH95% Max	
Power Source	DC12V±10%, 900mA	
Dimension	220(W) x 109(H) x 106(D)mm	
Weight	2.15Kgs	

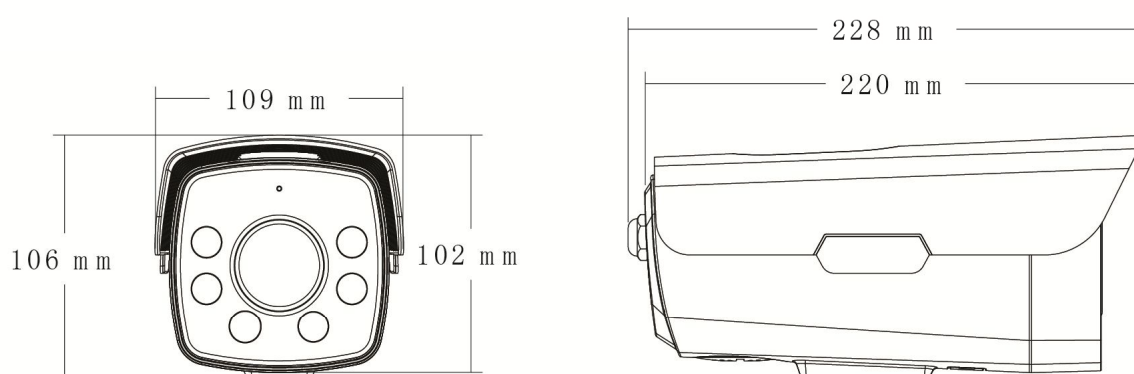
www.longse.com

Data Subject To Change Without Notice

Technical Specifications

Model	BMLA
Material	Aluminum & SECC & PC
Dimension(WxHxD)	109 x 106x 220mm
Weight	2.15kg
Color	White
Operating Temperature	-20°C ~ +60°C
Humidity	< 95% RH
Junction Box	B320

Dimensions (mm)



www.longse.com

Data Subject To Change Without Notice