

BMMB

AI IP Camera



BMMB5XISL200

- AI Bullet
- 1/2.8" SONY Starvis Back-illuminated CMOS Sensor
- H.265+/H.265/H.264+/H.264 Compression Method
- 2.8-12mm Motorized Lens
- IR Distance 40M Max.
- Store 10000 face info, detection distance 13M
- With Internal POE and External SD Card Slot

www.longse.com

Data Subject To Change Without Notice

SPECIFICATION	
Model NO.	BMMB5XISL200
Camera	
Image Sensor	1/2.8" SONY Starvis Back-illuminated CMOS Sensor
Resolution	2MP 1080P
Effective Pixels	1945(H)*1097(V)
Compression	H.264/H.264+/H.265/H.265+/JPEG/AVI /MJPEG
TV System	PAL/NTSC
Electronic Shutter Time	Auto: PAL 1/25-1/10000Sec; NTSC 1/30-1/10000Sec
Minimum Illumination	0.005Lux
S/N Ratio	≥52dB
Scanning System	Progressive
Video Output	Network
Reset Button	Support
Lens	
Focus Length	2.8-12mm Motor Zoom
Focus Control	Auto
Lens Type	Auto
Pixels	2MP
Night Vision	
Infrared LED	42μ x 4PCS
Infrared Distance	40M
IR Status	Auto Control
IR Power On	Auto Control
Network	
Ethernet	RJ-45 (10/100Base-T)
Wireless	/
Protocol	TCP/IP,ICMP,HTTP,HTTPS,FTP,DHCP,DNS,DDNS,RTP,RTSP,RTCP,NTP,SMTP
ONVIF	Support ONVIF 2.4(Profile S/T/G)
P2P	YES, Support QR Code
POE	Internal, Support IEEE 802.3af
Video Delay	0.35 (Within the Lan)
Main Stream 1	2304*1296@20fps
Main Stream 2	1920*1080@30fps
Main Stream 3	1280*720@30fps
Sub Stream 1	720*480@20fps 720*480@30fps
Sub Stream 2	/
Sub Stream 3	/
Tri Stream	352*288@20fps 352*288@30fps
IE Brower	IE8-11, Google Chrome (lower than Ver44), Firefox (lower than Ver53), Mac Safari(lower than version 12)
Smart Phone	iPhone, iPad, Android, Android Pad
AI Function	
Intelligent Analysis	Intrusion Detetion, Line Cross Detetion, Loiter Detetion, People Gather Detecion
Recognition	Face Detection and Recognition Number of faces per frame: 32 Capture rate: >99.5% Repeat capture rate: <15% False capture rate: <0.5% Number of supported faces: 10000 Minimum detection of face pixels: 25*25 Maximum detection of face pixels: 300*300
Camera Features	
Day/Night	Color/ B&W (IR-CUT)
Image Config	Saturation/Brightness/Contrast /Sharpness, Mirror, 3D NR , White Balance, FLK(Flicker Control), Video Tampering
Corridor Pattern	/
Defog Mode	Support
ROI	Support
BLC	Support
WDR	HDR:120dB
Motion Detection	Support
Privacy Masking	3 Rectangular Zone
Recording Mode	NVR/CMS/Web
Language	Chinese Simplified, Chinese Traditional, English, Bulgarian, Polish, Farsi, German, Russian, French, Korean, Portuguese, Japanese, Turkish, Spanish, Hebrew, Italian,Nederlands, Czech,Vietnamese
Interface	
Audio	Audio IN/OUT by Line
Alarm	1 Channel Input/Output
SD Card Slot	Support Max 512GB
RS485	Support
General	
Housing	Metal , IP67
Anti-cut Bracket	YES
IR Cut Filter	YES
Operation Temperature	-20°C ~ +60°C RH95% Max
Storage Temperature	-20°C ~ +60°C RH95% Max
Power Source	DC12V±10%, 950mA
Dimension	268(W) x 95(H) x 88(D)mm
Weight	1.5Kgs

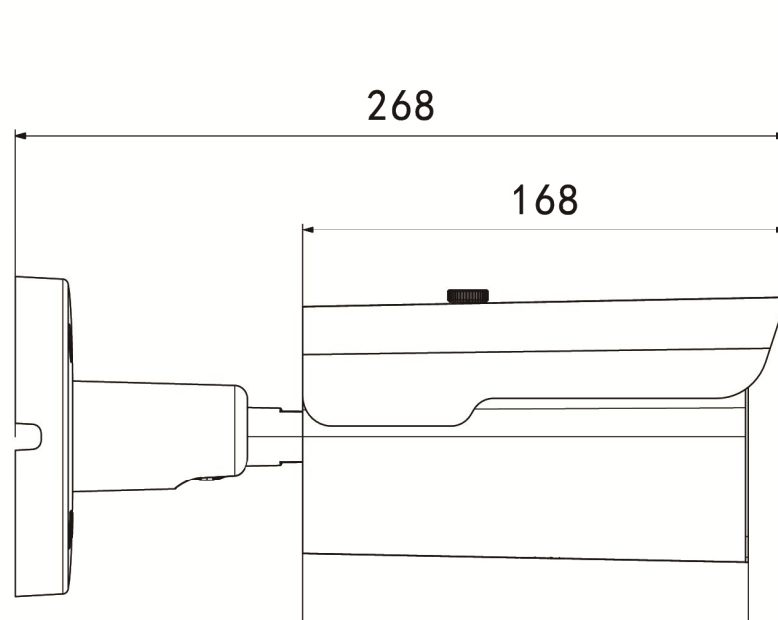
www.longse.com

Data Subject To Change Without Notice

Technical Specifications

Model	BMMB
Material	Aluminum & SECC & PC
Dimension(WxHxD)	95 x 88 x 268 mm
Weight	1.50kg
Color	White
Operating Temperature	-20°C ~ +60°C
Humidity	< 95% RH
Junction Box	B320

Dimensions (mm)



www.longse.com

Data Subject To Change Without Notice