

CMLA

Pro IP Camera



CMLA5XRL200

- Pro IP Dome
- 1/2.8" SONY Starvis Back-illuminated CMOS Sensor
- H.265+/H.265/H.264+/H.264 Compression Method
- 2.7-13.5mm Motorized Lens
- IR Distance 25M Max.
- With Internal POE

www.longse.com

Data Subject To Change Without Notice

| SPECIFICATION | |
|-------------------------|--|
| Model NO. | CMLA5XRL200 |
| Camera | |
| Image Sensor | 1/2.8" SONY Starvis Back-illuminated CMOS Sensor |
| Resolution | 2MP 1080P |
| Effective Pixels | 1945(H)*1097(V) |
| Compression | H.264/H.264+/H.265/H.265+/JPEG/AVI /MJPEG |
| Audio Compression | G711A/U,AAC |
| TV System | PAL/NTSC |
| Electronic Shutter Time | Auto: 1/3-1/100000Sec |
| Minimum Illumination | Color: 0.001 Lux @ (F1.6, AGC ON),B/W: 0 Lux with IR |
| S/N Ratio | 60dB |
| Scanning System | Progressive |
| Video Output | Network |
| Reset Button | Optional |
| Lens | |
| Focal Length & FOV | 2.7-13.5mm Motor Zoom, horizontal FOV 103°—29°, vertical FOV 54°—16°, diagonal FOV 124°—33° |
| Focus Control | Auto |
| Lens Type | Auto |
| Aperture | F1.6 - F3.3 |
| Pixels | 2MP |
| Night Vision | |
| Infrared LED | 42μ x 2PCS |
| Infrared Distance | 25M |
| IR Status | Auto Control |
| IR Power On | Smart, Manual & Timed mode |
| Network | |
| Ethernet | RJ-45 (10/100Base-T) |
| Wireless | N/A |
| Protocol | TCP/IP,IPv4/v6, ICMP, HTTP, HTTPS, FTP, DHCP, DNS, DDNS, RTP, RTSP, RTCP, PPPoE, NTP, SMTP, UDP, SNMP,Qos,802.1x |
| ONVIF | Support ONVIF 19.12(Profile S/T/G) |
| P2P | YES |
| POE | Internal, Support IEEE 802.3af |
| Video Delay | 0.3S (Within the Lan) |
| Main Stream 1 | 2304*1296@30fps |
| Main Stream 2 | 1920*1080@60fps |
| Main Stream 3 | 1280*720@60fps |
| Sub Stream 1 | 1920*1080@30fps 1280*720@30fps |
| Sub Stream 2 | 720*480@30fps |
| Sub Stream 3 | 352*288@30fps |
| Tri Stream | 1280*720@30fps 720*480@30fps 352*288@30fps |
| IE Brower | IE8-11, Google Chrome, Firefox , Mac Safari |
| Smart Phone | iPhone, Android |
| AI Function | |
| Intelligent Analysis | Face Detection,Intrusion Detetion, Line Cross Detection, Loiter Detetion, People Gather Detecion(based on human detection),Motion detection based on human detection,Vehicle Detection |
| Camera Features | |
| Day/Night | Color/ B&W (IR-CUT) |
| Image Config | Saturation/Brightness/Contrast /Sharpness, Mirror, 3D NR , White Balance, FLK(Flicker Control), Video Tampering, HLC, Distortion |
| Full Color | N/A |
| Corridor Pattern | Support |
| Defog Mode | Support |
| ROI | Support |
| BLC | Support |
| WDR | 120dB |
| Motion Detection | Support(support enable the detection based on human movement only) |
| Privacy Masking | 3 Rectangular Zone |
| Recording Mode | NVR/CMS/Web |
| Language | Chinese Simplified, Chinese Traditional, English, Bulgarian, Polish, Arabic, German, Russian, French, Korean, Portuguese, Japanese, Turkish, Spanish, Hebrew, Italian,Nederlands,Czech, Vietnamese |
| Interface | |
| Audio | Optional 1 Built-in MIC |
| Alarm | Optional 1 Channel Input/Ouput |
| SD Card Slot | Optional Internal, Support Max 1TB,Built in 4G Storage |
| RS485 | N/A |
| General | |
| Housing | Metal (Ring Plastic) , IP67 |
| Anti-cut Bracket | NO |
| IR Cut Filter | YES |
| Operation Temperature | -20°C ~ +60°C RH95% Max |
| Storage Temperature | -20°C ~ +60°C RH95% Max |
| Power Source | DC12V±10%, 700mA |
| Dimension | φ136 x 148(H)mm |
| Weight | 1700g |

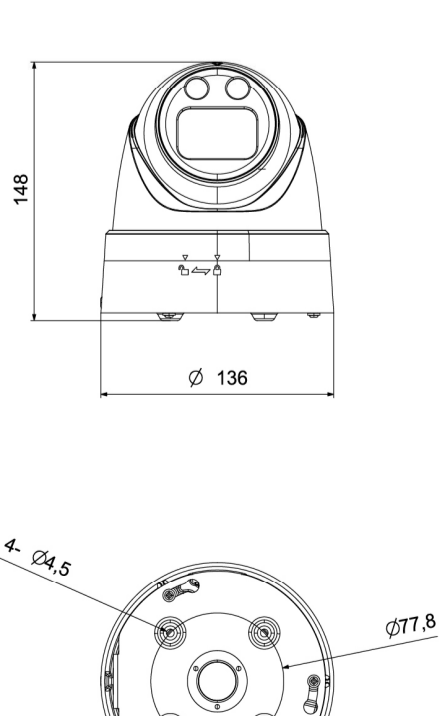
www.longse.com

Data Subject To Change Without Notice

Technical Specifications

| | |
|-----------------------|--------------------------|
| Model | CMLA |
| Material | Aluminum & SECC & PC |
| Dimension(WxHxD) | Φ136x 148mm |
| Weight | set with packaging 1.7kg |
| Color | Sand Grain White |
| Operating Temperature | -20°C ~ +60°C |
| Humidity | < 95% RH |
| Optional accessories | B245 |

Dimensions (mm)



www.longse.com

Data Subject To Change Without Notice