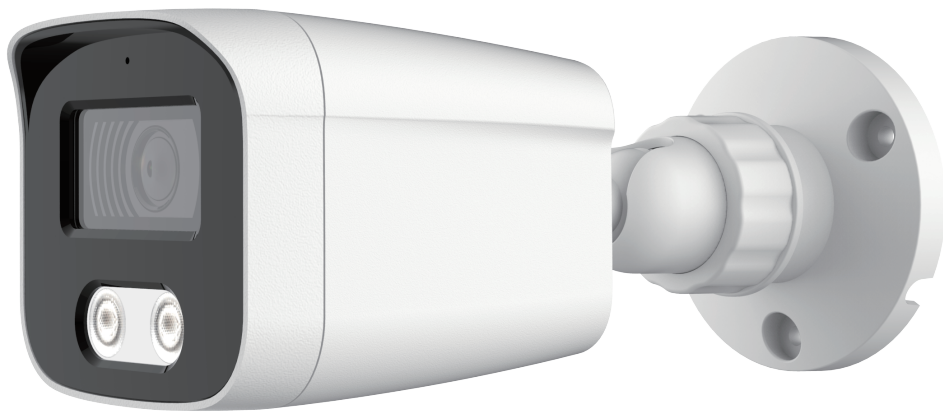


BMSD



Features

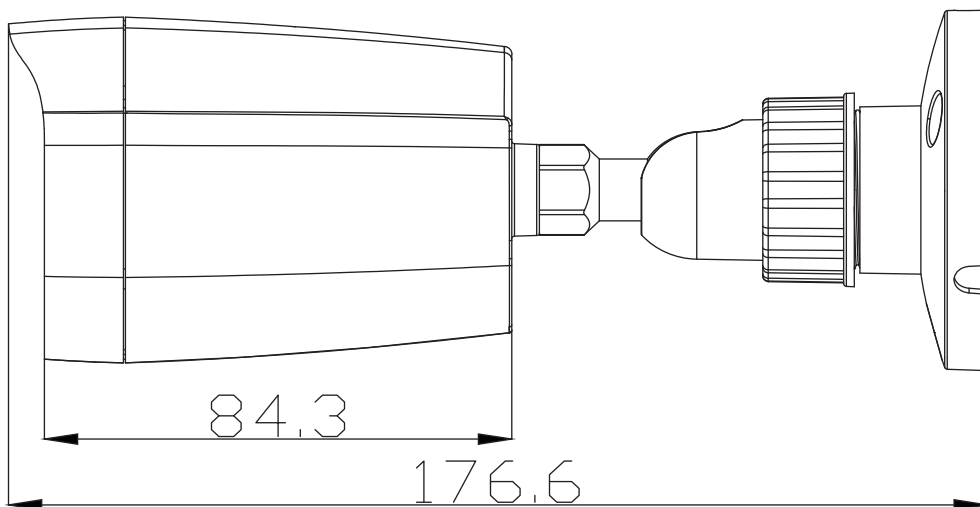
Aesthetic design

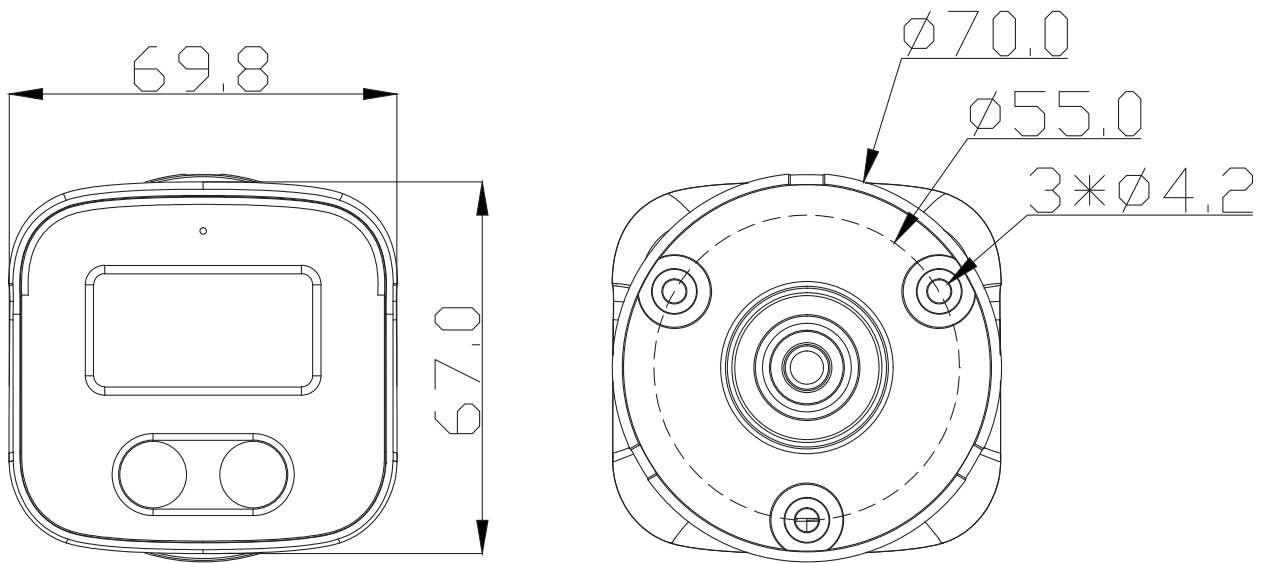
Main material: Aluminum & PC

Technical Specifications

Model	BMSD
Main material	Aluminum & PC
Dimension(WxHxD)	69.8 x 67.0x 176.6 mm
Weight	336g
Color	White
Operating Temperature	-30°C ~ +60°C
Humidity	< 95% RH
Waterproof grade	with the antenna:IP67 / Without antenna:IP65
Optional Accessory	B310/B116 Junction Box

Dimensions (mm)





Packaging Information

Screw pack x 1 : (1) M4 x 30, 3pcs;(2) Plastic expansion pipe, 3pcs

Sticker x 1