

# LVDBH

## Pro IP Camera



### LVDBHRL200

- Pro IP Dome
- 1/2.8" SONY Starvis Back-illuminated CMOS Sensor
- H.265+/H.265/H.264+/H.264 Compression Method
- 3.6mm Fixed Lens
- IR Distance 40M Max.
- With Internal POE

www.longse.com

Data Subject To Change Without Notice

| SPECIFICATION           |  |
|-------------------------|--|
| Model NO.               | LVDBHRL200   |
| <b>Camera</b>           |  |
| Image Sensor            | 1/2.8" SONY Starvis Back-illuminated CMOS Sensor   |
| Resolution              | 2MP 1080P  |
| Effective Pixels        | 1945(H)*1097(V)  |
| Compression             | H.264/H.264+/H.265/H.265+/JPEG/AVI /MJPEG  |
| Audio Compression       | G711A/U,AAC  |
| TV System               | PAL/NTSC   |
| Electronic Shutter Time | Auto: 1/3-1/100000Sec  |
| Minimum Illumination    | Color: 0.001 Lux @ (F1.6, AGC ON),B/W: 0 Lux with IR   |
| S/N Ratio               | ≥52dB  |
| Scanning System         | Progressive  |
| Video Output            | Network  |
| Reset Button            | Optional   |
| <b>Lens</b>             |  |
| Focus Length            | 3.6mm  |
| Focus Control           | Fixed  |
| Lens Type               | Fixed  |
| Pixels                  | 2MP  |
| <b>Night Vision</b>     |  |
| Infrared LED            | 42μ x 4PCS   |
| Infrared Distance       | 40M  |
| IR Status               | Auto Control   |
| IR Power On             | Smart, Manual & Timed mode   |
| <b>Network</b>          |  |
| Ethernet                | RJ-45 (10/100Base-T)   |
| Wireless                | N/A  |
| Protocol                | TCP/IP, ICMP, HTTP, HTTPS, FTP, DHCP, DNS, DDNS, RTP, RTSP, RTCP, PPPoE, NTP, SMTP, UDP, SNMP  |
| ONVIF                   | Support ONVIF 19.12(Profile S/T/G)   |
| P2P                     | YES  |
| POE                     | Optional, Support IEEE 802.3af   |
| Video Delay             | 0.3S (Within the Lan)  |
| Main Stream 1           | 2304*1296@30fps  |
| Main Stream 2           | 1920*1080@30fps  |
| Main Stream 3           | 1280*720@30fps   |
| Sub Stream 1            | 1280*720@30fps   |
| Sub Stream 2            | 720*480@30fps  |
| Sub Stream 3            | 352*288@30fps  |
| Tri Stream              | 1280*720@30fps<br>720*480@30fps<br>352*288@30fps   |
| IE Brower               | IE8-11, Google Chrome, Firefox , Mac Safari  |
| Smart Phone             | iPhone, Android  |
| <b>AI Function</b>      |  |
| Intelligent Analysis    | Saturation/Brightness/Contrast /Sharpness, Mirror, 3D NR , White Balance, FLK(Flicker Control), Occlusion Detection, HLC, Distortion   |
| <b>Camera Features</b>  |  |
| Day/Night               | Color/ B&W (IR-CUT )   |
| Image Config            | Saturation/Brightness/Contrast /Sharpness, Mirror, 3D NR , White Balance, FLK(Flicker Control), Occlusion Detection, HLC, Distortion   |
| Full Color              | N/A  |
| Corridor Pattern        | Support  |
| Defog Mode              | Support  |
| ROI                     | Support  |
| BLC                     | Support  |
| WDR                     | 120dB  |
| Motion Detection        | Support  |
| Privacy Masking         | 3 Rectangular Zone   |
| Recording Mode          | NVR/CMS/Web  |
| Language                | Chinese Simplified, Chinese Traditional, English, Bulgarian, Polish, Arabic, German, Russian, French, Korean, Portuguese, Japanese, Turkish, Spanish, Hebrew, Italian,Nederlands,Czech, Vietnamese |
| <b>Interface</b>        |  |
| Audio                   | Optional 1 Built-in MIC  |
| Alarm                   | Optional 1 Channel Input/Output  |
| SD Card Slot            | Optional Internal, Support Max 1TB,Built in 4G Storage   |
| RS485                   | N/A  |
| <b>General</b>          |  |
| Housing                 | Metal , IP67   |
| Anti-cut Bracket        | NO   |
| IR Cut Filter           | YES  |
| Operation Temperature   | -20°C ~ +60°C RH95% Max  |
| Storage Temperature     | -20°C ~ +60°C RH95% Max  |
| Power Source            | DC12V±10%, 950mA   |
| Dimension               | ∅ 140 x 123(H)mm   |
| Weight                  | 1200g  |

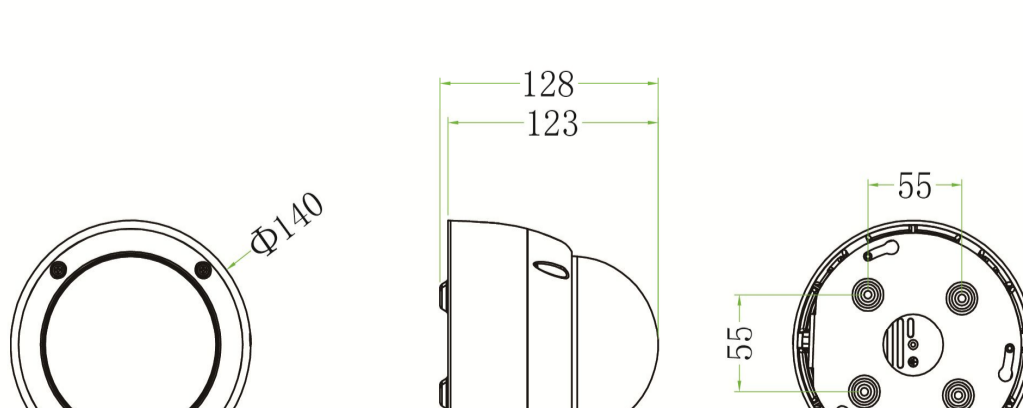
www.longse.com

Data Subject To Change Without Notice

### Technical Specifications

|                       |                      |
|-----------------------|----------------------|
| Model                 | LVDBH                |
| Material              | Aluminum & SECC & PC |
| Dimension(WxHxD)      | Φ140x 123 mm         |
| Weight                | 1.2 kg               |
| Color                 | White                |
| Operating Temperature | -20°C ~ +60°C        |
| Humidity              | < 95% RH             |
| Junction Box          | B245                 |

### Dimensions (mm)



www.longse.com

Data Subject To Change Without Notice