

CMSA

Full Color IP Camera



CMSAFG400WH

- Full Color Dome
- 1/3" Progressive Scan CMOS Sensor
- H.265+/H.265/H.264+/H.264 Compression Method
- 3.6mm Fixed Lens
- Support Warm white (4000K) , up to 25m
- With Internal POE

www.longse.com

Data Subject To Change Without Notice

SPECIFICATION	
Model NO.	CMSAFG400WH
Camera	
Image Sensor	1/3" Progressive Scan CMOS Sensor
Resolution	4MP
Effective Pixels	2560(H)*1440(V)
Compression	H.264/H.264+/H.265/H.265+/JPEG/AVI
Audio Compression	G711A/U,AAC
TV System	PAL/NTSC
Electronic Shutter Time	Auto: PAL 1/25-1/10000Sec; NTSC 1/30-1/10000Sec
Minimum Illumination	Color : 0.01 lux@F1.6, 0 Lux with white light
S/N Ratio	60dB
Scanning System	Progressive
Video Output	Network
Reset Button	Optional
Lens	
Focus Length	Board Lens 3.6mm
Focus Control	Fixed
Lens Type	Fixed
Pixels	4MP
Night Vision	
Infrared LED	No,Support Warm light LED 4000K, up to 25m
Infrared Distance	N/A
IR Status	Auto Control
IR Power On	Smart, Manual & Timed mode
Network	
Ethernet	RJ-45 (10/100Base-T)
Wireless	N/A
Protocol	TCP/IP, ICMP, HTTP, HTTPS, FTP, DHCP, DNS, DDNS, RTP, RTSP, RTCP, PPPoE, NTP, SMTP, UDP
ONVIF	Support ONVIF 2.4(Profile S/T/G)
P2P	YES
POE	Optional, Support IEEE 802.3af
Video Delay	0.3S (Within the Lan)
Main Stream 1	2688*1512@25fps
Main Stream 2	2560*1440@30fps
Main Stream 3	1920*1080@30fps 1280*720@30fps
Sub Stream 1	1280*720@30fps
Sub Stream 2	720*480@30fps
Sub Stream 3	N/A
Tri Stream	N/A
IE Brower	IE8-11, Google Chrome, Firefox , Mac Safari
Smart Phone	iPhone, Android
AI Function	
Intelligent Analysis	Intrusion Detetion
Camera Features	
Day/Night	Color
Image Config	Saturation/Brightness/Contrast /Sharpness, Mirror, 3D NR , White Balance, FLK(Flicker Control), Video Tampering, HLC, Distortion
Full Color	Support
Corridor Pattern	Support
Defog Mode	Support
ROI	Support
BLC	Support
WDR	DWDR
Motion Detection	Support
Privacy Masking	3 Rectangular Zone
Recording Mode	NVR/CMS/Web
Language	Chinese Simplified, Chinese Traditional, English, Bulgarian, Polish, Arabic, German, Russian, French, Korean, Portuguese, Japanese, Turkish, Spanish, Hebrew, Italian,Nederlands,Czech, Vietnamese
Interface	
Audio	Optional 1 Built-in MIC
Alarm	N/A
SD Card Slot	Optional Internal, Support Max 512GB
RS485	N/A
General	
Housing	Eyeball: Metal Base: Plastic , IP67
Anti-cut Bracket	NO
IR Cut Filter	YES
Operation Temperature	-20°C ~ +60°C RH95% Max
Storage Temperature	-20°C ~ +60°C RH95% Max
Power Source	DC12V±10%, 1000mA
Dimension	∅ 109 x 93(H) mm
Weight	600g

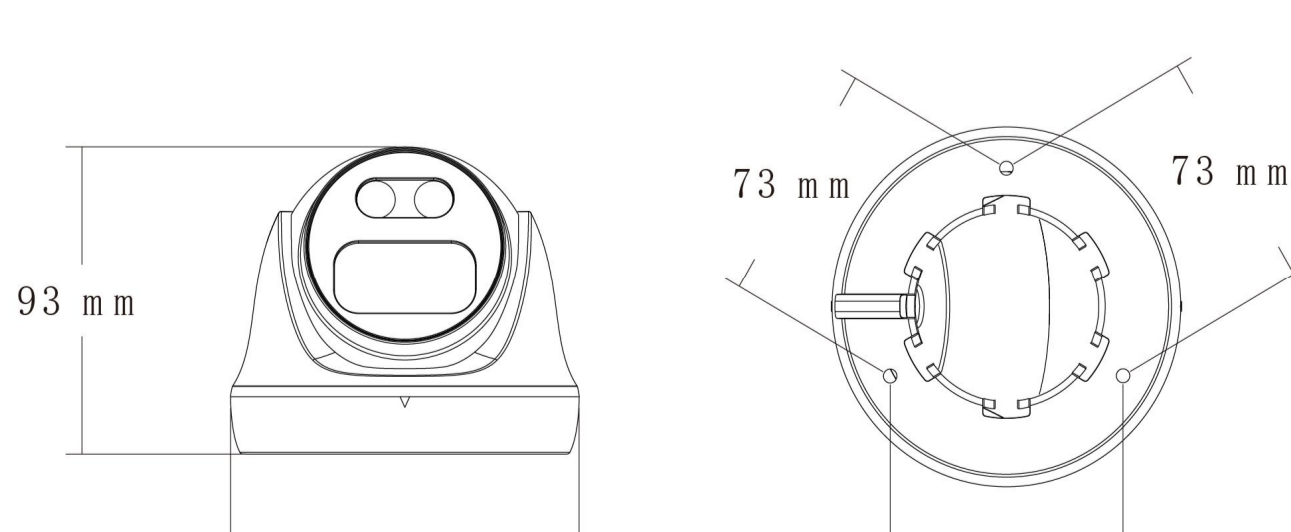
www.longse.com

Data Subject To Change Without Notice

Technical Specifications

Model	CMSA
Material	Aluminum & SECC & PC
Dimension(WxHxD)	Φ109 x 93mm
Weight	single set 600g (with packaging 800g)
Color	Sand Grain White
Operating Temperature	-20°C ~ +60°C
Humidity	< 95% RH
Optional accessories	B116, B320, B173, PC116-CMSA

Dimensions (mm)



www.longse.com

Data Subject To Change Without Notice