

CMLB

Pro IP Camera



CMLBRL200

- Pro IP Dome
- 1/2.8" SONY Starvis Back-illuminated CMOS Sensor
- H.265+/H.265/H.264+/H.264 Compression Method
- 3.6mm Fixed Lens
- IR Distance 25M Max.
- With Internal POE

www.longse.com

Data Subject To Change Without Notice

SPECIFICATION	
Model NO.	CMLBRL200
Camera	
Image Sensor	1/2.8" SONY Starvis Back-illuminated CMOS Sensor
Resolution	2MP 1080P
Effective Pixels	1945(H)*1097(V)
Compression	H.264/H.264+/H.265/H.265+/JPEG/AVI / MJPEG
Audio Compression	G711A/U,AAC
TV System	PAL/NTSC
Electronic Shutter Time	Auto: 1/3-1/100000Sec
Minimum Illumination	Color: 0.001 Lux @ (F1.6, AGC ON),B/W: 0 Lux with IR
S/N Ratio	≥52dB
Scanning System	Progressive
Video Output	Network
Reset Button	Optional
Lens	
Focus Length	3.6mm
Focus Control	Fixed
Lens Type	Fixed
Pixels	2MP
Night Vision	
Infrared LED	42μ x 2PCS
Infrared Distance	25M
IR Status	Auto Control
IR Power On	Smart, Manual & Timed mode
Network	
Ethernet	RJ-45 (10/100Base-T)
Wireless	N/A
Protocol	TCP/IP, ICMP, HTTP, HTTPS, FTP, DHCP, DNS, DDNS, RTP, RTSP, RTCP, PPPoE, NTP, SMTP, UDP, SNMP
ONVIF	Support ONVIF 19.12(Profile S/T/G)
P2P	YES
POE	Optional, Support IEEE 802.3af
Video Delay	0.3S (Within the Lan)
Main Stream 1	2304*1296@30fps
Main Stream 2	1920*1080@30fps
Main Stream 3	1280*720@30fps
Sub Stream 1	1280*720@30fps
Sub Stream 2	720*480@30fps
Sub Stream 3	352*288@30fps
Tri Stream	1280*720@30fps 720*480@30fps 352*288@30fps
IE Brower	IE8-11, Google Chrome, Firefox , Mac Safari
Smart Phone	iPhone, Android
AI Function	
Intelligent Analysis	Saturation/Brightness/Contrast /Sharpness, Mirror, 3D NR , White Balance, FLK(Flicker Control), Occlusion Detection, HLC, Distortion
Camera Features	
Day/Night	Color/ B&W (IR-CUT)
Image Config	Saturation/Brightness/Contrast /Sharpness, Mirror, 3D NR , White Balance, FLK(Flicker Control), Occlusion Detection, HLC, Distortion
Full Color	N/A
Corridor Pattern	Support
Defog Mode	Support
ROI	Support
BLC	Support
WDR	120dB
Motion Detection	Support
Privacy Masking	3 Rectangular Zone
Recording Mode	NVR/CMS/Web
Language	Chinese Simplified, Chinese Traditional, English, Bulgarian, Polish, Arabic, German, Russian, French, Korean, Portuguese, Japanese, Turkish, Spanish, Hebrew, Italian,Nederlands,Czech, Vietnamese
Interface	
Audio	Optional 1 Built-in MIC
Alarm	Optional 1 Channel Input/Output
SD Card Slot	Optional Internal, Support Max 1TB,Built in 4G Storage
RS485	N/A
General	
Housing	Metal , IP67
Anti-cut Bracket	NO
IR Cut Filter	YES
Operation Temperature	-20°C ~ +60°C RH95% Max
Storage Temperature	-20°C ~ +60°C RH95% Max
Power Source	DC12V±10%, 700mA
Dimension	∅ 128 x 108(H)mm
Weight	800g

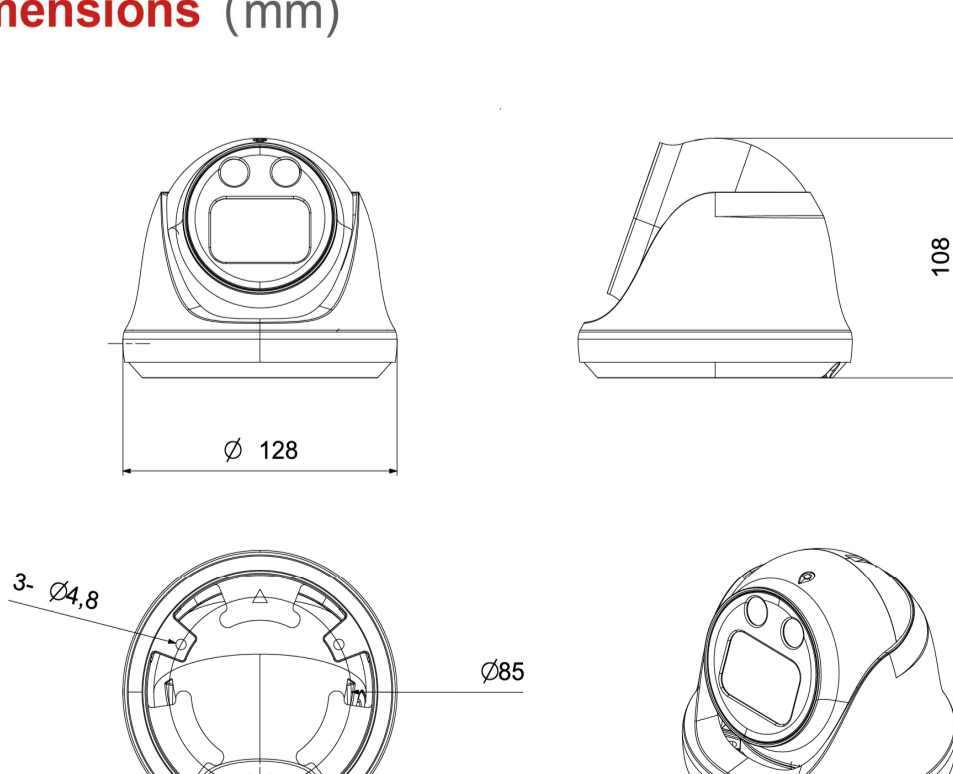
www.longse.com

Data Subject To Change Without Notice

Technical Specifications

Model	CMLB
Material	Aluminum & SECC & PC
Dimension(WxHxD)	∅128 x 108mm
Weight	set with packaging 800g
Color	Sand Grain White
Operating Temperature	-20°C ~ +60°C
Humidity	< 95% RH
Optional accessories	B320, B173-02

Dimensions (mm)



www.longse.com

Data Subject To Change Without Notice