

CMLB

Full Color HD Camera



CMLBHTC500FKEW CMLBTHC500FKEW

- Full Color Dome
- 1/2.5" CMOS sensor
- 6mm Fixed Lens
- Suport Warm white (4000K) , up to 30m

www.longse.com

Data Subject To Change Without Notice

SPECIFICATION		
Model NO.	CMLBHTC500FKEW	CMLBTHC500FKEW
Video Output Mode	AHD: 8M@15fps, 5M@20fps/12.5fps, 4M@30fps/25fps/15fps, 2M@30fps/25fps; TVI: 8M@15fps/12.5fps,5M@20fps/12.5fps, 4M@30fps/25fps/15fps, 2M@30fps/25fps; CVI: 8M@15fps/12.5fps,5M@20fps/12.5fps, 4M/2M@30fps/25fps	
Camera		
Image Sensor	1/2.5" CMOS sensor	
Image Resolution	8M:3840*2160 5M:2592*1944 4M:2560*1440 2M:1920*1080	
TV System	PAL/NTSC	
Electronic Shutter	Auto	
Minimum Illumination	0.01Lux	
Scanning System	Progressive Scan	
Lens		
Focus Length	6mm	
Focus Control	Fixed	
Lens Type	Fixed	
Night Vision		
IR Cut Filter	YES	
Infrared LED	NO, Suport Warm white (4000K)	
Light Distanc	up to 30m	
IR Status	AGC Auto Control	
Camera Features		
Starlight	/	
Day/Night	Color	
OSD Menu	YES	
WDR	DWDR	
UTC	YES	
Noise Reduction	DNR	
Coaxial Audio	YES(only TVI)	
White Balance	AUTO / MANUAL	
Gain Control	AUTO	
General		
Housing	Metal, IP67	
Bracket	NO	
Operation Temperature	-10°C ~ +60°C RH95% Max	
Storage Temperature	-20°C ~ +60°C RH95% Max	
Power Source	DC12V±10%, 1000mA	
Dimension	∅ 128 x 108(H)mm	
Weight	800g	

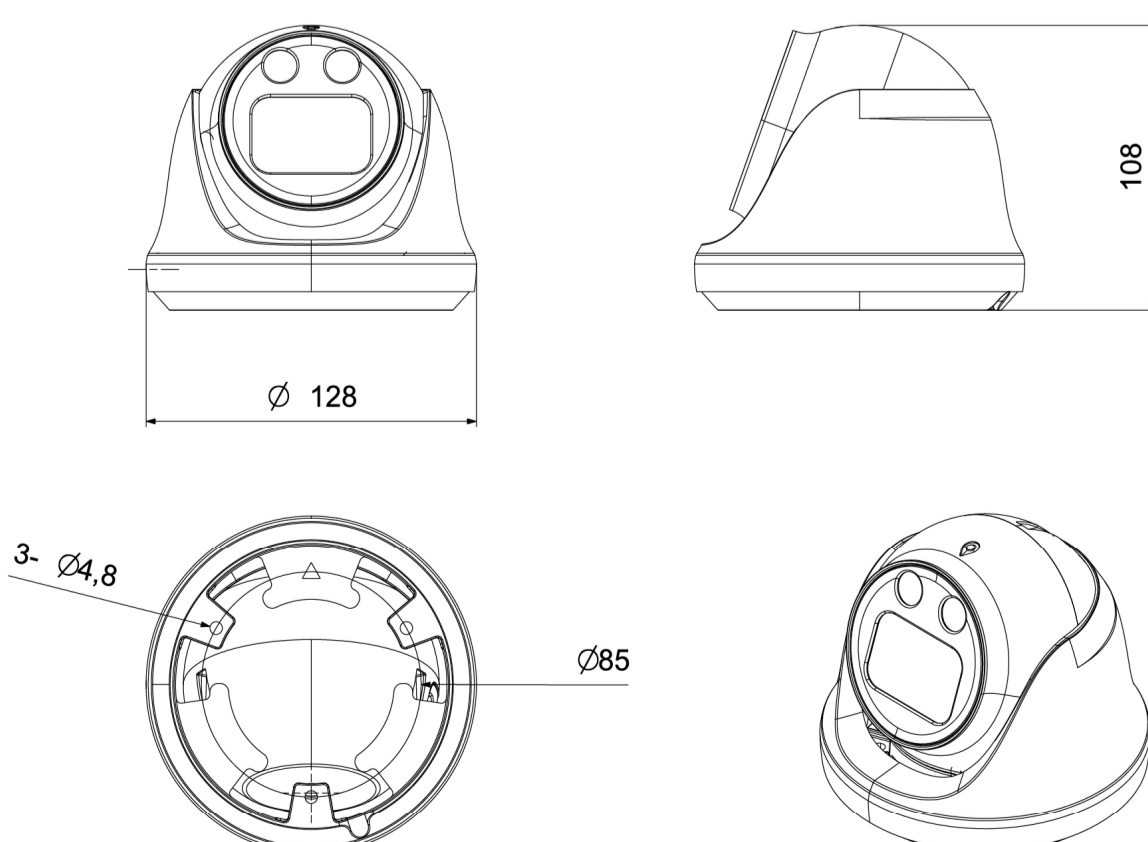
www.longse.com

Data Subject To Change Without Notice

Technical Specifications

Model	CMLB
Material	Aluminum & SECC & PC
Dimension(WxHxD)	∅128 x 108mm
Weight	set with packaging 800g
Color	Sand Grain White
Operating Temperature	-20°C ~ +60°C
Humidity	< 95% RH
Optional accessories	B320, B173-02

Dimensions (mm)



www.longse.com

Data Subject To Change Without Notice