

BMSA

Full Color HD Camera



BMSAHTC500ESLW

- Full Color Bullet
- 1/2.8" SONY Starvis Back-illuminated CMOS Sensor
- 3.6mm Fixed Lens
- Support Warm white (4000K) , up to 25m

www.longse.com

Data Subject To Change Without Notice

| SPECIFICATION | |
|-----------------------|--|
| Model NO. | BMSAHTC500ESLW |
| Video Output Mode | AHD: 8M@15fps, 5M@20fps/12.5fps, 4M/2M@30fps/25fps; CVI: 8M@15fps/12.5fps, 4M/2M@30fps/25fps TVI: 8M@15fps/12.5fps, 5M@20fps/12.5fps, 4M/2M@30fps/25fps; |
| Camera | |
| Image Sensor | 1/2.8" SONY Starvis Back-illuminated CMOS sensor |
| Image Resolution | 8M:3840*2160 5M:2592*1944 4M:2560*1440 2M:1920*1080 |
| TV System | PAL/NTSC |
| Electronic Shutter | Auto |
| Minimum Illumination | 0.005Lux |
| Scanning System | Progressive Scan |
| Lens | |
| Focus Length | 3.6mm |
| Focus Control | Fixed |
| Lens Type | Fixed |
| Night Vision | |
| IR Cut Filter | YES |
| Infrared LED | NO, Support Warm white (4000K) |
| Light Distanc | up to 25m |
| IR Status | AGC auto control |
| Camera Features | |
| Starlight | / |
| Day/Night | YES/NO |
| OSD Menu | YES |
| WDR | YES |
| UTC | YES |
| Noise Reduction | 3DNR |
| Coaxial Audio | / |
| White Balance | AUTO / MANUAL |
| Gain Control | AUTO |
| General | |
| Housing | Metal, IP67 |
| Bracket | YES |
| Operation Temperature | -10°C ~ +60°C RH95% Max |
| Storage Temperature | -20°C ~ +60°C RH95% Max |
| Power Source | DC12V±10%, 450mA |
| Dimension | 171(W) x 73(H) x 73(D)mm |
| Weight | 750g |

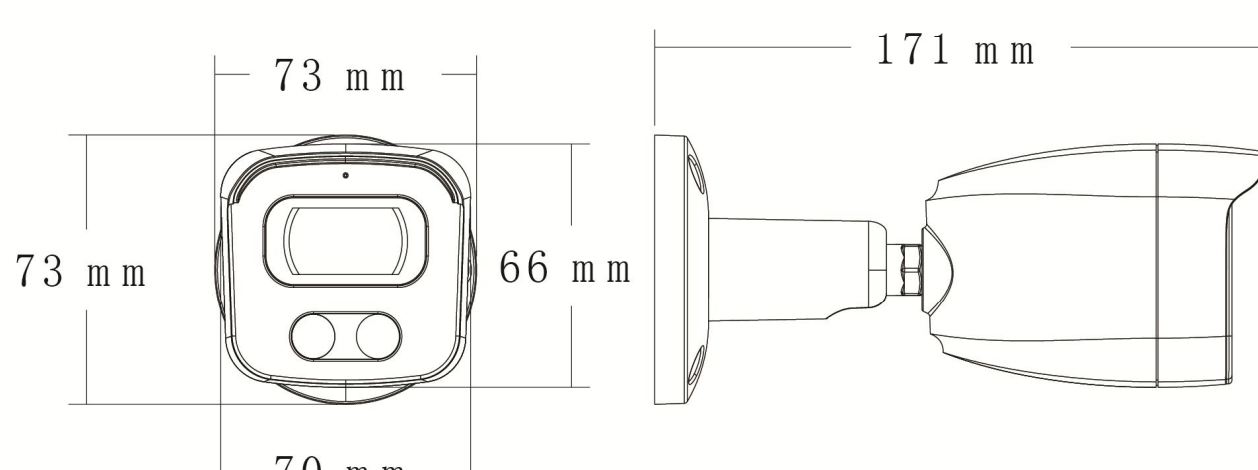
www.longse.com

Data Subject To Change Without Notice

Technical Specifications

| | |
|-----------------------|----------------------|
| Model | BMSA |
| Material | Aluminum & SECC & PC |
| Dimension(WxHxD) | 73 x73x171 mm |
| Weight | 750g |
| Color | White |
| Operating Temperature | -20°C ~ +60°C |
| Humidity | < 95% RH |
| Junction Box | B310, B116 |

Dimensions (mm)



www.longse.com

Data Subject To Change Without Notice