

BMSA

Full Color HD Camera



BMSAHTC200ESHW

- Full Color Bullet
- 1/2.8" SONY Starvis Back-illuminated CMOS sensor
- 3.6mm Fixed Lens
- Support Warm white (4000K) , up to 25m

www.longse.com

Data Subject To Change Without Notice

SPECIFICATION	
Model NO.	BMSAHTC200ESHW
Video Output Mode	AHD/TVI: 5M@20fps/12.5fps, 4M@30fps, 2M@30fps; CVI: 4M@30fps, 2M@30fps
Camera	
Image Sensor	1/2.8" SONY Starvis Back-illuminated CMOS sensor
Image Resolution	5M:2592*1944 4M:2560*1440 2M:1920*1080
TV System	PAL/NTSC
Electronic Shutter	Auto
Minimum Illumination	0.005Lux
Scanning System	Progressive Scan
Lens	
Focus Length	3.6mm
Focus Control	Fixed
Lens Type	Fixed
Night Vision	
IR Cut Filter	YES
Infrared LED	NO, Support Warm white (4000K)
Light Distanc	up to 25m
IR Status	AGC auto control
Camera Features	
Starlight	YES
Day/Night	Color
OSD Menu	YES
WDR	YES
UTC	YES
Noise Reduction	AI-DNR
Coaxial Audio	/
White Balance	AUTO / MANUAL
Gain Control	AUTO
General	
Housing	Metal, IP67
Bracket	YES
Operation Temperature	-10°C ~ +60°C RH95% Max
Storage Temperature	-20°C ~ +60°C RH95% Max
Power Source	DC12V±10%, 450mA
Dimension	171(W) x 73(H) x 73(D)mm
Weight	750g

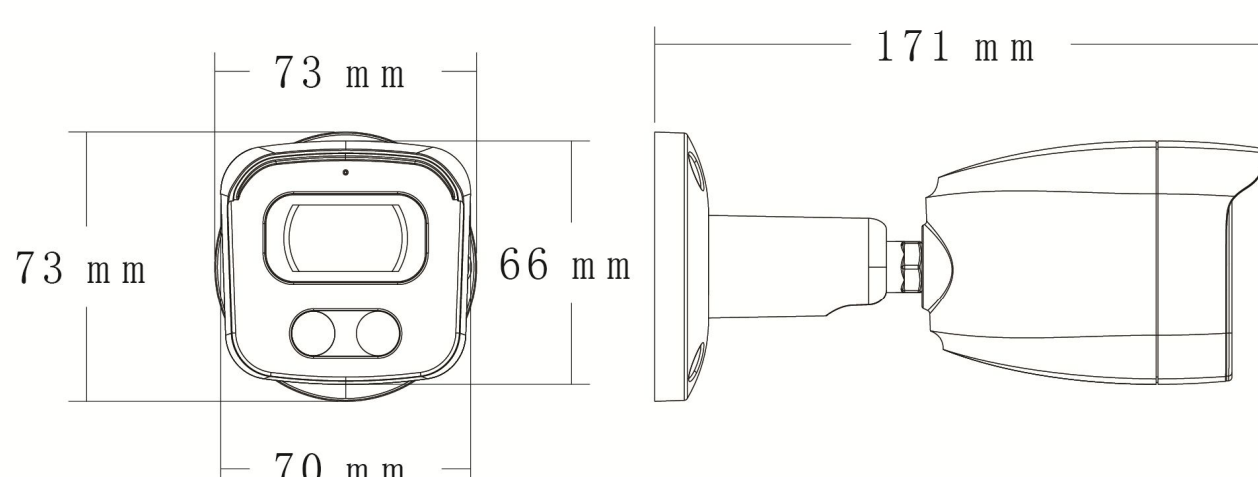
www.longse.com

Data Subject To Change Without Notice

Technical Specifications

Model	BMSA
Material	Aluminum & SECC & PC
Dimension(WxHxD)	73 x73x171 mm
Weight	750g
Color	White
Operating Temperature	-20°C ~ +60°C
Humidity	< 95% RH
Junction Box	B310, B116

Dimensions (mm)



www.longse.com

Data Subject To Change Without Notice