

# BMMB

Full Color HD Camera



## BMMBHTC500FKEW BMMBTHC500FKEW

- Full Color Bullet
- 1/2.5" CMOS sensor
- 6mm Fixed Lens
- Support Warm white (4000K) , up to 40m

[www.longse.com](http://www.longse.com)

Data Subject To Change Without Notice

SPECIFICATION		
Model NO.	BMMBHTC500FKEW	BMMBTHC500FKEW
Video Output Mode	AHD: 8M@15fps, 5M@20fps/12.5fps, 4M@30fps/25fps/15fps, 2M@30fps/25fps; TVI: 8M@15fps/12.5fps,5M@20fps/12.5fps, 4M@30fps/25fps/15fps, 2M@30fps/25fps; CVI: 8M@15fps/12.5fps,5M@20fps/12.5fps, 4M/2M@30fps/25fps	
Camera		
Image Sensor	1/2.5" CMOS sensor	
Image Resolution	8M:3840*2160 5M:2592*1944 4M:2560*1440 2M:1920*1080	
TV System	PAL/NTSC	
Electronic Shutter	Auto	
Minimum Illumination	0.01Lux	
Scanning System	Progressive Scan	
Lens		
Focus Length	6mm	
Focus Control	Fixed	
Lens Type	Fixed	
Night Vision		
IR Cut Filter	YES	
Infrared LED	NO. Support Warm white (4000K)	
Light Distanc	up to 40m	
IR Status	AGC Auto Control	
Camera Features		
Starlight	/	
Day/Night	Color	
OSD Menu	YES	
WDR	DWDR	
UTC	YES	
Noise Reduction	DNR	
Coaxial Audio	YES(only TVI )	
White Balance	AUTO / MANUAL	
Gain Control	AUTO	
General		
Housing	Metal, IP67	
Bracket	YES	
Operation Temperature	-10°C ~ +60°C RH95% Max	
Storage Temperature	-20°C ~ +60°C RH95% Max	
Power Source	DC12V±10%, 750mA	
Dimension	268(W) x 95(H) x 88(D)mm	
Weight	1.5Kg	

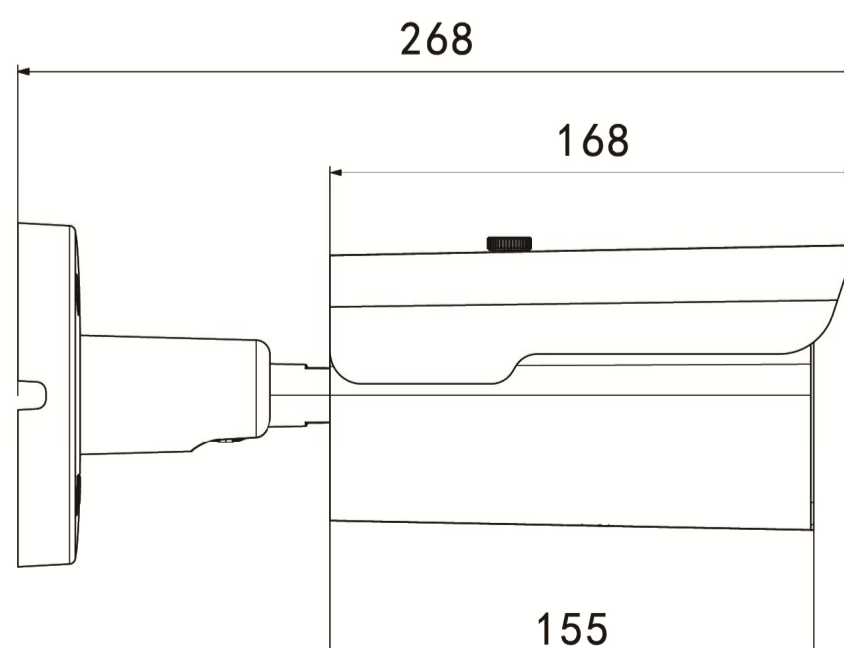
[www.longse.com](http://www.longse.com)

Data Subject To Change Without Notice

## Technical Specifications

Model	BMMB
Material	Aluminum & SECC & PC
Dimension(WxHxD)	95 x 88 x 268 mm
Weight	1.50kg
Color	White
Operating Temperature	-20°C ~ +60°C
Humidity	< 95% RH
Junction Box	B320

## Dimensions (mm)



[www.longse.com](http://www.longse.com)

Data Subject To Change Without Notice