

BMMB

Full Color HD Camera



BMMBHTC200FPEW BMMBTHC200FPEW

- Full Color Bullet
- 1/3" CMOS Sensor
- 6mm Fixed Lens
- Support Warm white (4000K) , up to 40m

www.longse.com

Data Subject To Change Without Notice

SPECIFICATION	
Model NO.	BMMBHTC200FPEW BMMBTHC200FPEW
Video Output Mode	AHD/TVI: 5M@20fps/12.5fps, 4M@30fps/25fps/15fps, 2M@30fps/25fps; CVI: 4M@30fps/25fps, 2M@30fps/25fps
Camera	
Image Sensor	1/3" CMOS Sensor
Image Resolution	5M:2592*1944 4M:2560*1440 2M:1920*1080
TV System	PAL/NTSC
Electronic Shutter	Auto
Minimum Illumination	0.01Lux
Scanning System	Progressive Scan
Lens	
Focus Length	6mm
Focus Control	Fixed
Lens Type	Fixed
Night Vision	
IR Cut Filter	YES
Infrared LED	NO. Support Warm white (4000K)
Light Distanc	up to 40m
IR Status	AGC Auto Control
Camera Features	
Starlight	/
Day/Night	Color
OSD Menu	YES
WDR	DWDR
UTC	YES
Noise Reduction	DNR
Coaxial Audio	YES(only TVI)
White Balance	AUTO / MANUAL
Gain Control	AUTO
General	
Housing	Metal, IP67
Bracket	YES
Operation Temperature	-10°C ~ +60°C RH95% Max
Storage Temperature	-20°C ~ +60°C RH95% Max
Power Source	DC12V±10%, 750mA
Dimension	268(W) x 95(H) x 88(D)mm
Weight	1.5Kg

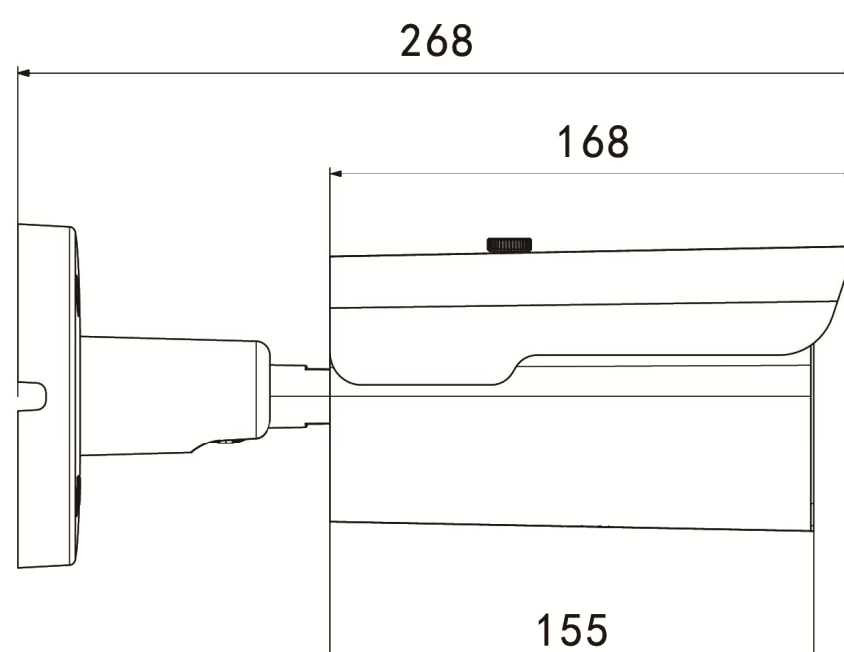
www.longse.com

Data Subject To Change Without Notice

Technical Specifications

Model	BMMB
Material	Aluminum & SECC & PC
Dimension(WxHxD)	95 x 88 x 268 mm
Weight	1.50kg
Color	White
Operating Temperature	-20°C ~ +60°C
Humidity	< 95% RH
Junction Box	B320

Dimensions (mm)



www.longse.com

Data Subject To Change Without Notice