

# BMMB

Full Color HD Camera



## BMMBHTC200ESHW

- Full Color Bullet
- 1/2.8" SONY Starvis Back-illuminated CMOS sensor
- 6mm Fixed Lens
- Support Warm white (4000K) , up to 40m

[www.longse.com](http://www.longse.com)

Data Subject To Change Without Notice

SPECIFICATION	
Model NO.	BMMBHTC200ESHW
Video Output Mode	AHD/TVI: 5M@20fps/12.5fps, 4M@30fps, 2M@30fps; CVI: 4M@30fps, 2M@30fps
Camera	
Image Sensor	1/2.8" SONY Starvis Back-illuminated CMOS sensor
Image Resolution	5M:2592*1944 4M:2560*1440 2M:1920*1080
TV System	PAL/NTSC
Electronic Shutter	Auto
Minimum Illumination	0.005Lux
Scanning System	Progressive Scan
Lens	
Focus Length	6mm
Focus Control	Fixed
Lens Type	Fixed
Night Vision	
IR Cut Filter	YES
Infrared LED	NO. Support Warm white (4000K)
Light Distanc	up to 40m
IR Status	AGC Auto Control
Camera Features	
Starlight	YES
Day/Night	Color
OSD Menu	YES
WDR	YES
UTC	YES
Noise Reduction	AI-DNR
Coaxial Audio	/
White Balance	AUTO / MANUAL
Gain Control	AUTO
General	
Housing	Metal, IP67
Bracket	YES
Operation Temperature	-10°C ~ +60°C RH95% Max
Storage Temperature	-20°C ~ +60°C RH95% Max
Power Source	DC12V±10%, 750mA
Dimension	268(W) x 95(H) x 88(D)mm
Weight	1.5Kg

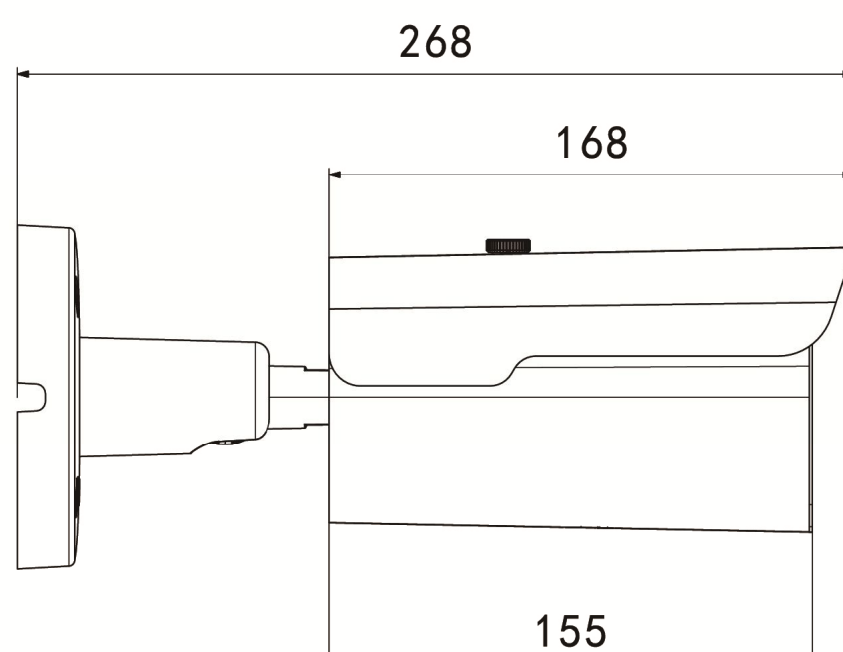
[www.longse.com](http://www.longse.com)

Data Subject To Change Without Notice

## Technical Specifications

Model	BMMB
Material	Aluminum & SECC & PC
Dimension(WxHxD)	95 x 88 x 268 mm
Weight	1.50kg
Color	White
Operating Temperature	-20°C ~ +60°C
Humidity	< 95% RH
Junction Box	B320

## Dimensions (mm)



[www.longse.com](http://www.longse.com)

Data Subject To Change Without Notice