

# BMMB

AHD/TVI HD Camera



## BMMBHTC500FKE BMMBTHC500FKE

- AHD/TVI HD Bullet
- 1/2.5" CMOS sensor
- 6mm Fixed Lens
- IR Distance Max. 40m

www.longse.com

Data Subject To Change Without Notice

SPECIFICATION	
Model NO.	BMMBHTC500FKE BMMBTHC500FKE
Video Output Mode	AHD: 8M@15fps, 5M@20fps/12.5fps, 4M/2M@30fps/25fps; TVI/CVI: 8M@15fps/12.5fps, 5M@20fps/12.5fps, 4M/2M@30fps/25fps
<b>Camera</b>	
Image Sensor	1/2.5" CMOS sensor
Image Resolution	8M:3840*2160 5M:2592*1944 4M:2560*1440 2M:1920*1080
TV System	PAL/NTSC
Electronic Shutter	Auto
Minimum Illumination	0.01Lux
Scanning System	Progressive Scan
<b>Lens</b>	
Focus Length	6mm
Focus Control	Fixed
Lens Type	Fixed
<b>Night Vision</b>	
IR Cut Filter	YES
Infrared LED	42μ x 4PCS
Infrared Distance	40M
IR Status	AGC Auto Control
<b>Camera Features</b>	
Starlight	/
Day/Night	YES/NO
OSD Menu	YES
WDR	DWDR
UTC	YES
Noise Reduction	DNR
Coaxial Audio	YES (only TVI )
White Balance	AUTO / MANUAL
Gain Control	AUTO
<b>General</b>	
Housing	Metal, IP67
Bracket	YES
Operation Temperature	-10°C ~ +60°C RH95% Max
Storage Temperature	-20°C ~ +60°C RH95% Max
Power Source	DC12V±10%, 750mA
Dimension	268(W) x 95(H) x 88(D)mm
Weight	1.5Kgs

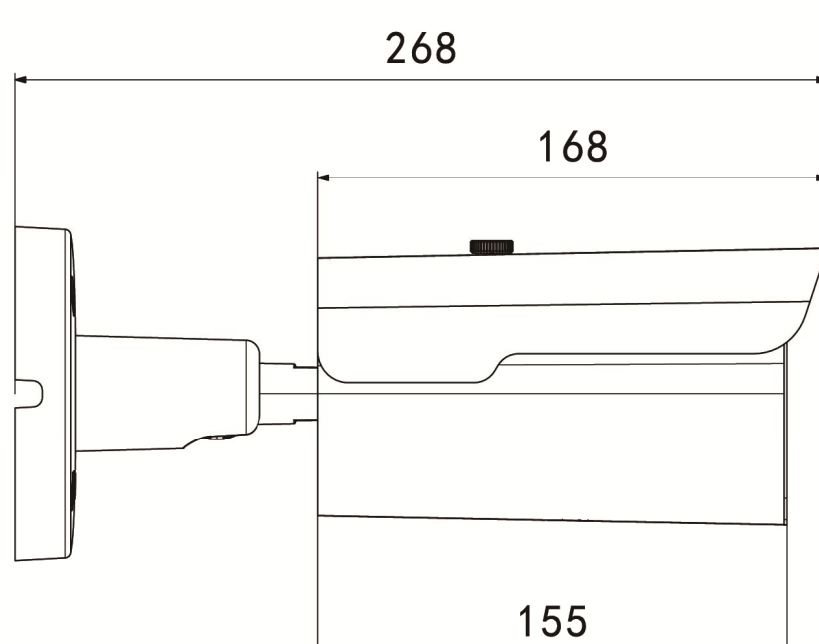
www.longse.com

Data Subject To Change Without Notice

## Technical Specifications

Model	BMMB
Material	Aluminum & SECC & PC
Dimension(WxHxD)	95 x 88 x 268 mm
Weight	1.50kg
Color	White
Operating Temperature	-20°C ~ +60°C
Humidity	< 95% RH
Junction Box	B320

## Dimensions (mm)



www.longse.com

Data Subject To Change Without Notice