

CMLA

Full Color IP Camera



CMLAGC200WH

- Full Color Dome
- 1/2.9" Progressive Scan CMOS Sensor
- H.265+/H.265/H.264+/H.264 Compression Method
- 3.6mm Fixed Lens
- Support Warm white (4000K) , up to 30m
- With Internal POE

www.longse.com

Data Subject To Change Without Notice

SPECIFICATION	
Model NO.	CMLAGC200WH
Camera	
Image Sensor	1/2.9" Progressive Scan CMOS Sensor
Resolution	2MP 1080P
Effective Pixels	1920(H)*1080(V)
Compression	H.264/H.265/JPEG/AVI/MJPEG
TV System	PAL/NTSC
Electronic Shutter Time	Auto: PAL 1/25-1/10000Sec; NTSC 1/30-1/10000Sec
Minimum Illumination	0.01Lux
S/N Ratio	60dB
Scanning System	Progressive
Video Output	Network
Reset Button	Optional
Lens	
Focus Length	Board Lens 3.6mm
Focus Control	Fixed
Lens Type	Fixed
Pixels	2MP
Night Vision	
Infrared LED	No,Support Warm light LED 4000K, up to 30m
Infrared Distance	/
IR Status	Auto Control
IR Power On	Smart, Manual & Timed mode
Network	
Ethernet	RJ-45 (10/100Base-T)
Wireless	/
Protocol	TCP/IP, ICMP, HTTP, HTTPS, FTP, DHCP, DNS, DDNS, RTP, RTSP, RTCP, NTP, SMTP, UDP
ONVIF	Support ONVIF 19.12(Profile S/T/G)
P2P	YES
POE	Optional, Support IEEE 802.3af
Video Delay	0.3S (Within the Lan)
Main Stream 1	1920*1080@30fps
Main Stream 2	1280*720@30fps
Main Stream 3	/
Sub Stream 1	720*480@30fps
Sub Stream 2	352*288@30fps
Sub Stream 3	/
Tri Stream	/
IE Brower	IE8-11, Google Chrome, Firefox
Smart Phone	iPhone, Android
AI Function	
Intelligent Analysis	Intrusion Detetion,motion detection based on human detection
Camera Features	
Day/Night	Color/ B&W (IR-CUT)
Image Config	Saturation/Brightness/Contrast /Sharpness, Mirror, 3D NR , White Balance, FLK(Flicker Control)
Full Color	Support
Corridor Pattern	/
Defog Mode	Support
ROI	/
BLC	Support
WDR	DWDR: 50dB
Motion Detection	Support(support enable the detection based on human movement only)
Privacy Masking	3 Rectangular Zone
Recording Mode	NVR/CMS/Web
Language	Chinese Simplified, Chinese Traditional, English, Bulgarian, Polish, Arabic, German, Russian, French, Korean, Portuguese, Japanese, Turkish, Spanish, Hebrew, Italian,Nederlands,Czech, Vietnamese
Interface	
Audio	Optional 1 Built-in MIC
Alarm	/
SD Card Slot	/
RS485	/
General	
Housing	Metal ,IP67
Anti-cut Bracket	No
IR Cut Filter	YES
Operation Temperature	-20°C ~ +60°C RH95% Max
Storage Temperature	-20°C ~ +60°C RH95% Max
Power Source	DC12V±10%, 1000mA
Dimension	∅ 136 x 148(H)mm
Weight	1700g

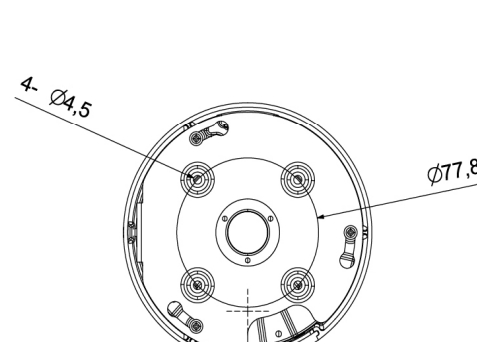
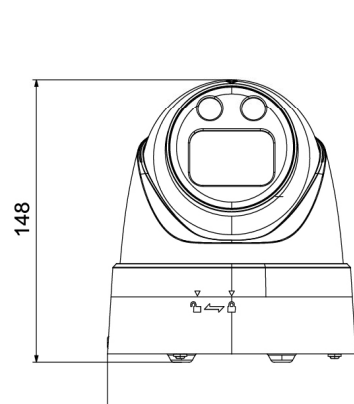
www.longse.com

Data Subject To Change Without Notice

Technical Specifications

Model	CMLA
Material	Aluminum & SECC & PC
Dimension(WxHxD)	Φ136x 148mm
Weight	set with packaging 1.7kg
Color	Sand Grain White
Operating Temperature	-20°C ~ +60°C
Humidity	< 95% RH
Optional accessories	B245

Dimensions (mm)



www.longse.com

Data Subject To Change Without Notice

Longse