

LVDBH

Pro IP Camera



LVDBHRL400

- Pro IP Dome
- 1/2.8" SONY Starvis Back-illuminated CMOS Sensor
- H.265+/H.265/H.264+/H.264 Compression Method
- 3.6mm Fixed Lens
- IR Distance 30M Max.
- With Internal POE and External SD Card Slot

www.longse.com

Data Subject To Change Without Notice

SPECIFICATION	
Model NO.	LVDBHRL400
Camera	
Image Sensor	1/2.8" SONY Starvis Back-illuminated CMOS sensor
Resolution	4MP
Effective Pixels	2616 (H) x 1964 (V)
Compression	H.264/H.264+/H.265/H.265+/JPEG/AVI /MJPEG
TV System	PAL/NTSC
Electronic Shutter Time	Auto: PAL 1/25-1/10000Sec; NTSC 1/30-1/10000Sec
Minimum Illumination	0.01Lux
S/N Ratio	≥52dB
Scanning System	Progressive
Video Output	Network
Reset Button	Optional
Lens	
Focus Length	3.6mm
Focus Control	Fixed
Lens Type	Fixed
Pixels	4MP
Night Vision	
Infrared LED	42μ x 4PCS
Infrared Distance	30M
IR Status	Auto Control
IR Power On	Smart, Manual & Timed mode
Network	
Ethernet	RJ-45 (10/100Base-T)
Wireless	/
Protocol	TCP/IP, ICMP, HTTP, HTTPS, FTP, DHCP, DNS, DDNS, RTP, RTSP, RTCP, PPPoE, NTP, SMTP, UDP, SNMP
ONVIF	Support ONVIF 19.12(Profile S/T/G)
P2P	YES, Support QR Code
POE	Optional/Internal, Support IEEE 802.3af
Video Delay	0.3S (Within the Lan)
Main Stream 1	2592*1944@30fp
Main Stream 2	2560*1440@30fp
Main Stream 3	1920*1080@30fps 1280*720@30fps
Sub Stream 1	1280*720@30fps 720*480@30fps
Sub Stream 2	352*288@30fps
Sub Stream 3	/
Tri Stream	1280*720@30fps 720*480@30fps 352*288@30fps
IE Brower	IE8-11, Google Chrome, Firefox , Mac Safari
Smart Phone	iPhone, iPad, Android, Android Pad
AI Function	
Intelligent Analysis	Face Detection, Intrusion Detetion, Line Cross Detetion, Loiter Detetion, People Gather Detecion,motion detection based on human detection
Camera Features	
Day/Night	Color/ B&W (IR-CUT)
Image Config	Saturation/Brightness/Contrast /Sharpness, Mirror, 3D NR , White Balance, FLK(Flicker Control), Video Tampering, HLC, Distortion
Full Color	/
Corridor Pattern	Support
Defog Mode	Support
ROI	Support
BLC	Support
WDR	HDR: 120dB
Motion Detection	Support
Privacy Masking	3 Rectangular Zone
Recording Mode	NVR/CMS/Web
Language	Chinese Simplified, Chinese Traditional, English, Bulgarian, Polish, Arabic, German, Russian, French, Korean, Portuguese, Japanese, Turkish, Spanish, Hebrew, Italian,Nederlands,Czech, Vietnamese
Interface	
Audio	Optional Audio IN/OUT
Alarm	Optional 1 Channel Input/Ouput
SD Card Slot	Optional Internal, Support Max 512GB,Built in 4G Storage
RS485	/
General	
Housing	Metal , IP67
Anti-cut Bracket	NO
IR Cut Filter	YES
Operation Temperature	-20°C ~ +60°C RH95% Max
Storage Temperature	-20°C ~ +60°C RH95% Max
Power Source	DC12V±10%, 950mA
Dimension	Φ 140 x 123(H)mm
Weight	1200g

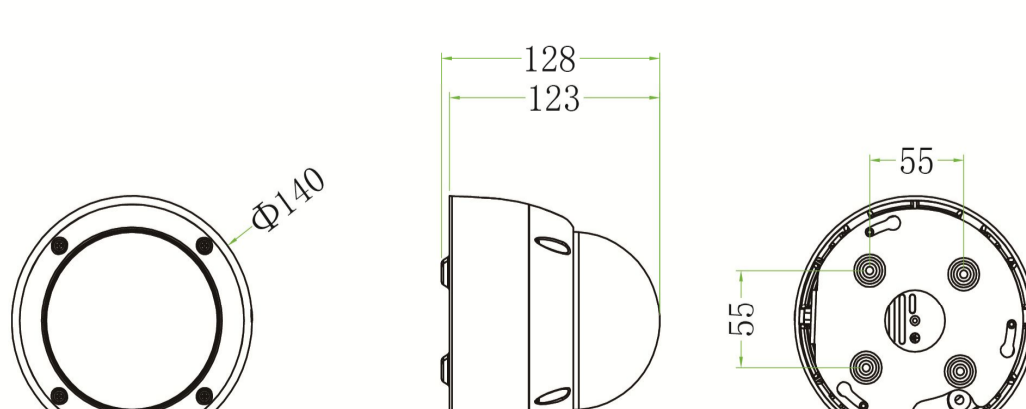
www.longse.com

Data Subject To Change Without Notice

Technical Specifications

Model	LVDBH
Material	Aluminum & SECC & PC
Dimension(WxHxD)	Φ140x 123 mm
Weight	1.2 kg
Color	White
Operating Temperature	-20°C ~ +60°C
Humidity	< 95% RH
Junction Box	B245

Dimensions (mm)



www.longse.com

Data Subject To Change Without Notice