

CMLA

Full Color IP Camera



CMLARL800WH

- Full Color Dome
- 1/2.8"SONY Starvis Back-illuminated CMOS Sensor
- H.265+/H.265/H.264+/H.264 Compression Method
- 3.6mm Fixed Lens
- Support Warm white (4000K) , up to 30m
- With Internal POE and SD Card Slot

www.longse.com

Data Subject To Change Without Notice

SPECIFICATION	
Model NO.	CMLARL800WH
Camera	
Image Sensor	1/2.8" SONY Starvis Back-illuminated CMOS sensor
Resolution	8MP
Effective Pixels	3864(H)*2192(V)
Compression	H.264/H.264+/H.265/H.265+/JPEG/AVI /MJPEG
TV System	PAL/NTSC
Electronic Shutter Time	Auto: PAL 1/25-1/10000Sec; NTSC 1/30-1/10000Sec
Minimum Illumination	0.01Lux
S/N Ratio	≥52dB
Scanning System	Progressive
Video Output	Network
Reset Button	Optional
Lens	
Focus Length	Board Lens 3.6mm/F1.0
Focus Control	Fixed
Lens Type	Fixed
Pixels	8MP
Night Vision	
Infrared LED	No,Support Warm light LED 4000K, up to 30m
Infrared Distance	/
IR Status	Auto Control
IR Power On	Smart, Manual & Timed mode
Network	
Ethernet	RJ-45 (10/100Base-T)
Wireless	/
Protocol	TCP/IP, ICMP, HTTP, HTTPS, FTP, DHCP, DNS, DDNS, RTP, RTSP, RTCP, PPPoE, NTP, SMTP, UDP, SNMP
ONVIF	Support ONVIF 19.12(Profile S/T/G)
P2P	YES, Support QR Code
POE	Internal, Support IEEE 802.3af
Video Delay	0.3S (Within the Lan)
Main Stream 1	3840*2160@30fps 3072*2048@30fps
Main Stream 2	2592*1536@30fps 2560*1440@30fps
Main Stream 3	1920*1080@30fps 1280*720@30fps
Sub Stream 1	1280*720@30fps
Sub Stream 2	352*288@30fps
Sub Stream 3	/
Tri Stream	1280*720@30fps 720*480@30fps 352*288@30fps
IE Brower	IE8-11, Google Chrome, Firefox , Mac Safari
Smart Phone	iPhone, Android
AI Function	
Intelligent Analysis	Face Detection, Intrusion Detetion, Line Cross Detetion, Loiter Detetion, People Gather Detecion, Motion detection based on human detection
Camera Features	
Day/Night	Color
Image Config	Saturation/Brightness/Contrast /Sharpness, Mirror, 3D NR , White Balance, FLK(Flicker Control), Video Tampering, HLC, Distortion
Full Color	Support
Corridor Pattern	Support
Defog Mode	Support
ROI	Support
BLC	Support
WDR	HDR: 120dB
Motion Detection	Support
Privacy Masking	3 Rectangular Zone
Recording Mode	NVR/CMS/Web
Language	Chinese Simplified, Chinese Traditional, English, Bulgarian, Polish, Arabic, German, Russian, French, Korean, Portuguese, Japanese, Turkish, Spanish, Hebrew, Italian,Nederlands,Czech, Vietnamese
Interface	
Audio	Optional 1 Built-in MIC
Alarm	Optional 1 Channel Input/Ouput
SD Card Slot	Optional Internal, Support Max 512GB,Built in 4G Storage
RS485	/
General	
Housing	Metal ,IP67
Anti-cut Bracket	No
IR Cut Filter	YES
Operation Temperature	-20℃ ~ +60℃ RH95% Max
Storage Temperature	-20℃ ~ +60℃ RH95% Max
Power Source	DC12V±10%, 1000mA
Dimension	∅ 136 x 148(H)mm
Weight	1700g

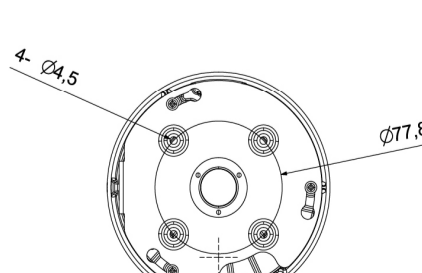
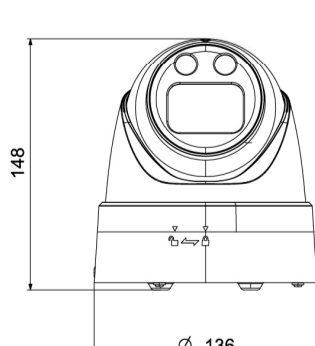
www.longse.com

Data Subject To Change Without Notice

Technical Specifications

Model	CMLA
Material	Aluminum & SECC & PC
Dimension(WxHxD)	∅136x 148mm
Weight	set with packaging 1.7kg
Color	Sand Grain White
Operating Temperature	-20°C ~ +60°C
Humidity	< 95% RH
Optional accessories	B245

Dimensions (mm)



www.longse.com

Data Subject To Change Without Notice